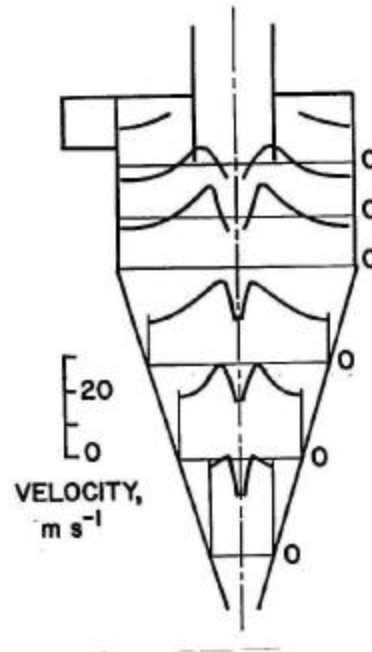
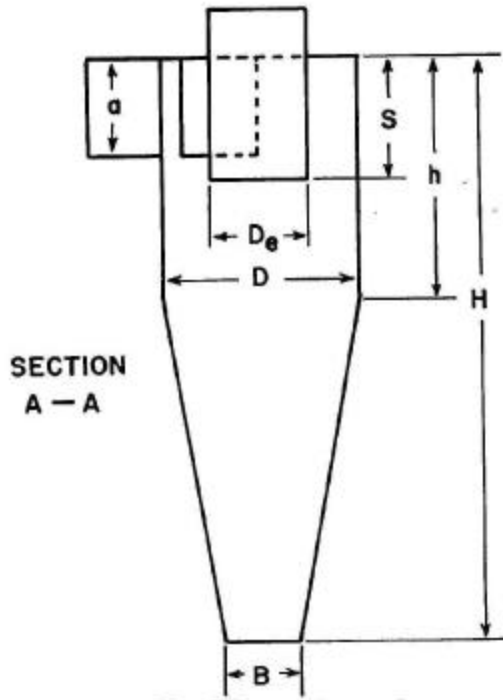


Tangential Velocities



Vertical Velocities

Radial Velocities

